

FLOATING FLOOR MOUNT

Series: TS-60



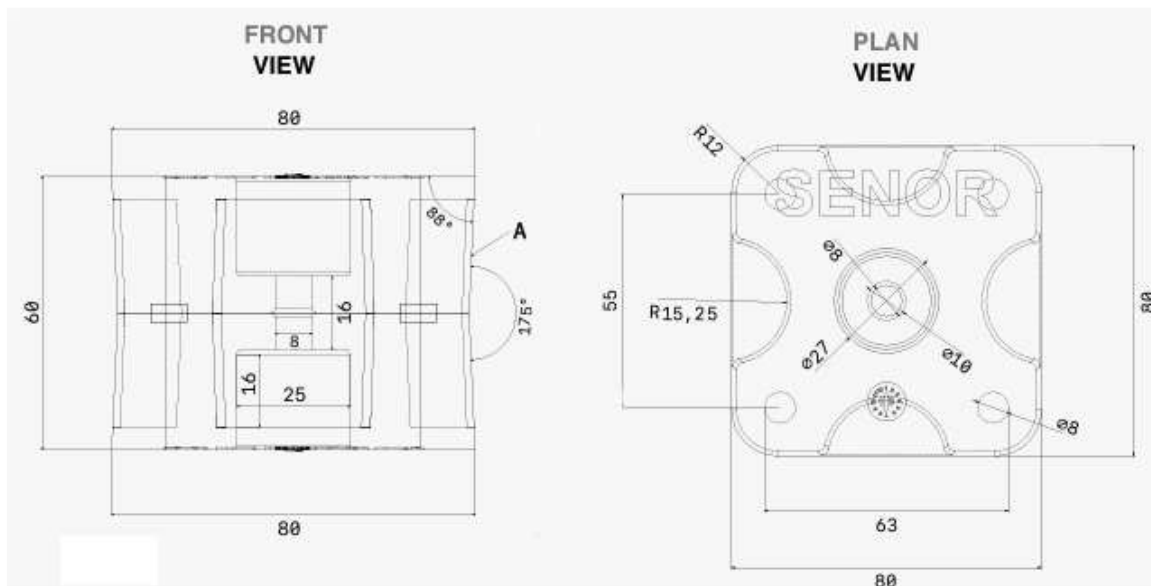
- Protrusions limit movement and grips unit to floor.
- X-shape base improves elasticity of the system.
- Excellent soundproofing performance.
- Suited for higher floors compared to TS series.
- Greater performance compared to EPDM and other polymers.
- Suited for higher floors compared to TS Series.
- Optimal load: 35kg to 400kg per mount.

MATERIAL

- Polymer Body: Kraiburg TPE

| Part Number | Optimal Load per mount (kg) | Material Colour | Material Properties |
|-------------|-----------------------------|-----------------|---------------------|
| TS-60-V-150 | 35 ~ 200 | Green | PDF |
| TS-60-A-280 | 150 ~ 280 | Blue | PDF |
| TS-60-R-400 | 270 ~ 400 | Red | PDF |

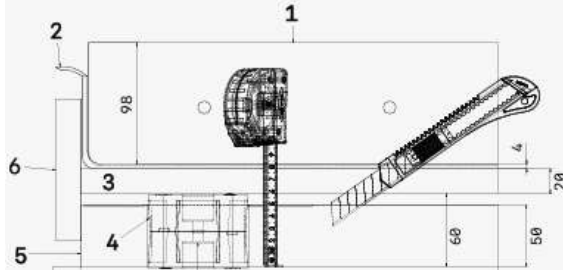
Resonance Frequency: 7-15Hz.



INSTALLATION GUIDE

1° Concrete slab HA-20 15x15x10 with a thickness of 10 cm.
Density: > 2450 kg/m³

2° ViscoLAM-65 (acoustic membrane) with a thickness of 4 mm.
Density: <1650 kg/m³.



Impact noise mount
Ref. SE-TS60 A 280

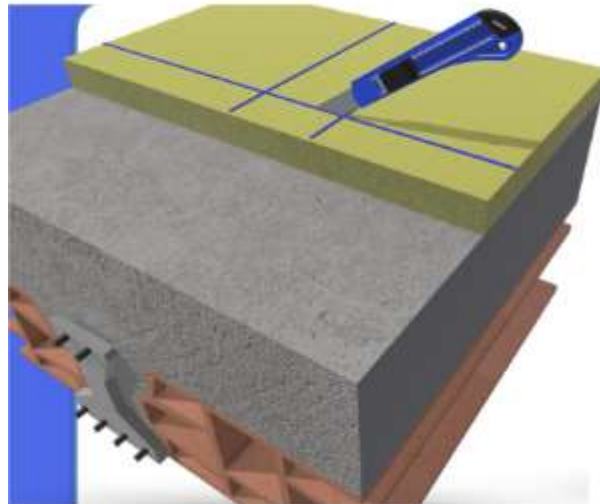
3° MDF board with a thickness of 19 mm. Density: > 650 kg/m³.

4° SE-TS-60 A 280

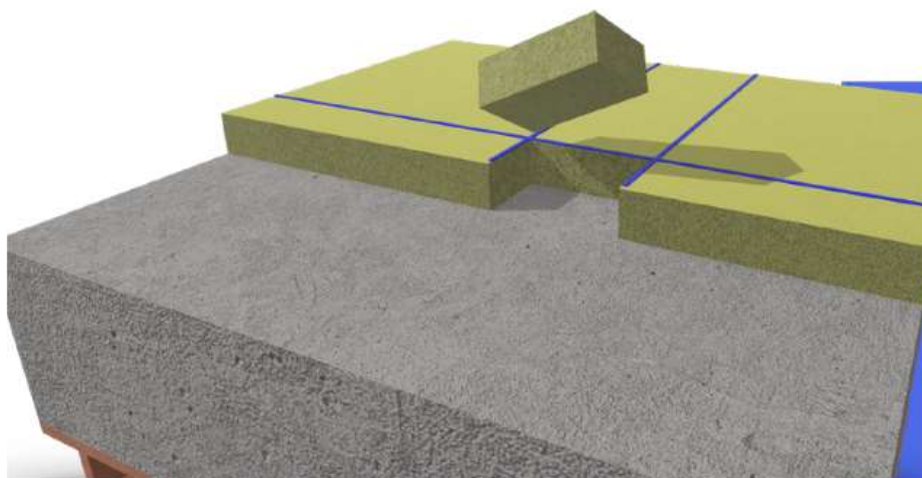
5° Mineral wool (Arena APTA) with a thickness of 50 mm.
Density: < 30 kg/m³.

6° Acoustic band EPDM CR-130 type BEC-15x150

STEP 1



STEP 2



STEP 3

